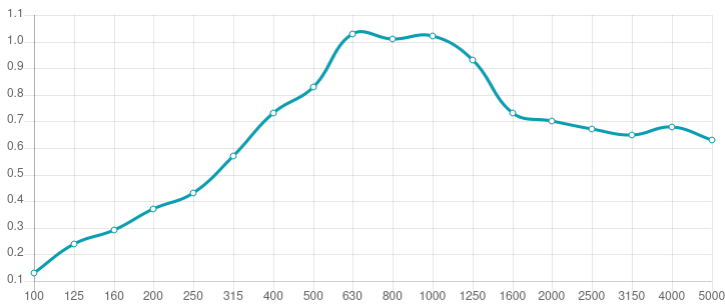
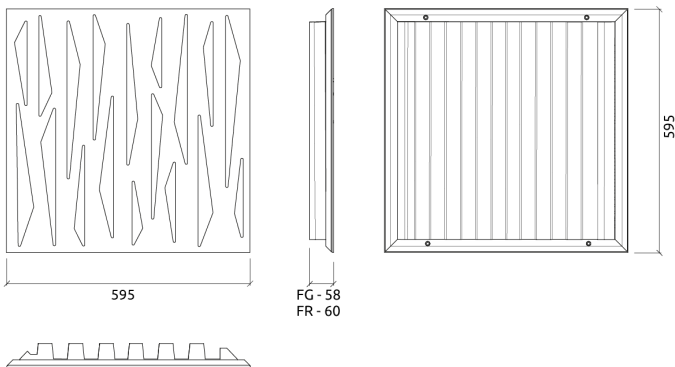




Performance



Technical Information



Features

Type:
Acoustic Absorber
Absorption range: 250 Hz to 4000 Hz

Acoustic Class: C | (α_w) = 0,75

Available fire rates:
FG | Furniture Grade

Materials:
- Natural wood | Lacquered HMDF
- Marine grade plywood structural frame
- Calibrated cell acoustic foam

Dimensions:
Vector - Absorber
- 595x595x58mm
- Equipped with four M6 Screw Thread receiver

Vector Doble - Absorber
- 595x1190x58mm
- Equipped with six M6 Screw Thread receiver

Dimensions:

595x595x58mm | 1,84 Kg

Vector is one of the two first brand new design collaborations between Jan Morel and Artnovion. Made for modern and bold studio designs, Vector is a combination of Jan Morel unique design and Artnovion's quality manufacturing and highly-performance techniques. For Vector we brought together the best of two worlds. Vector is the first ever addition to our range that combines a wooden front with a fabric backing.

Product finishes

Fabric



(T201) Grigio



(T202) Bianco



(T203) Noce



(T204) Gentian



(T205) Nero



(T206) Nebbia



(T207) Bordo

Front



FG | (W01) Cerise



FG | (W02) Marron



FG | (W03) Wenge



FG | (L01) Blanc



FG | (L02) Noir



FG | (L03) Rouge



FG | (L05) Silver



FG | (L06) Noir Vintage



FG | (L07) Graphite Black



FG | (L08) Rose Gold



FG | (L09) Classic Gold



FG | (L10) Bronze

Vector W - Absorber

Wooden Absorber



Purpose

- Sweet spot sound field distribution
- RT reduction

Recommended for

- Control Room
- Recording Room
- Home Studio
- Broadcast Studio
- Vocal Booth
- Drum Booth

Fixing Systems

Wall & Ceiling



+ FixArt Clip



+ GlueArt



+ FixArt - Tube

Ceiling



+ FixArt Cloud

Add-ons



+ FixArt Tube Lock



+ FixArt Connect



+ M6 Screw Thread receiver - Add-on